



XtendMountains Flex

Product price:

€54.90 tax included

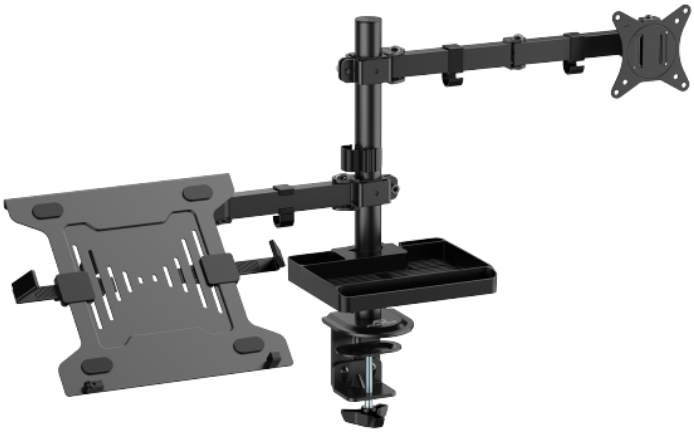
Discover the articulated support XtendMountas Flex, specially designed to accommodate **a flat or curved screen from 17 to 32 inches, as well as your laptop from 10 to 15.6 inches**. Take advantage of absolute flexibility to optimize your workspace by adjusting the position of your screen, with a dedicated location for your laptop, thus ensuring optimal ergonomics.

Articulated arm ideally designed to optimize your desktop space. Its fastening, both robust and ergonomic, as well as its articulated arm, offer total flexibility with possibilities of **inclination, orientation and rotation** it is specially designed to support the weight of your **flat or curved screen weighing up to 9 kg max and a portable PC of 4 kg max**.

Its universal adapter conforms to **vESA standards and removable to simplify installation** and offers extended compatibility with mounting spacings of **75 x 75 mm and 100 x 100 mm**. The VESA standard, recognized worldwide, establishes the dimensions in millimetres of horizontal and vertical spacing between mounting points for screens.

The **tablet included** offers efficient storage, keeping objects within reach while optimizing space. It is equipped with a convenient slot for a phone. In addition, the office remains well organized thanks to its **integrated cable management system**, allowing the cables to be effectively concealed.

Quick installation on your desktop in minutes thanks to **two installation options included** : a desk clamp, compatible with trays 1 to 8.5 cm thick, and a cable pass (or piercing the tray), compatible with trays 1 to 4 cm thick.



Product features:

Matériaux: Plastique (ABS)



Matériaux: Métal (Acier)

System: Articulated

Quick assembly: Office clamp or cable pass (or tray drilling)

Quick assembly: Tray between 1 cm and 8,5 cm

Compatible VESA: 75 x 75mm

Compatible VESA: 100 x 100 mm

Colour: Black

Dimensions: 95.9 x 31.9 x 56.1 cm

Weight: 5 Kg

Screen size(s): 17" ~ 32"

Max weight / screen: Flat or curved : 9 Kg

Settings: Panoramic (left/right)

Settings: Screen rotation

Settings: Inclination (front/back)

Table: Dimensions: 22.4 x 17.6 x 3 cm

Table: Supported load: 3 kg max

PC Portable: Compatible 10" ~ 15.6"

PC Portable: Max weight : 4 Kg

Contents of packaging: Installation instructions

Contents of packaging: Screws and tools

Contents of packaging: XtdenMouts support

Contents of packaging: Table

Product description:

Packaging :

Référence : ADV-ARM13F

EAN : 3700104434318

Dimensions : 44.3 x 29.8 x 9.6 cm

Poids : 6.25 kg

Master-carton :

Colisage : 3 Pièces

Dimensions : 46 x 31.5 x 47.5 cm

Poids : 19.4 kg